



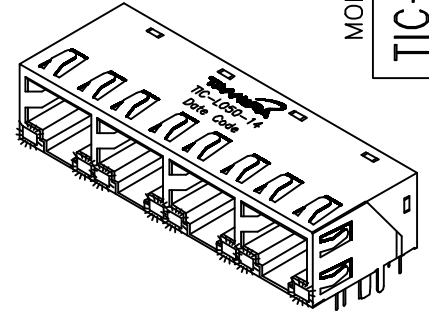
RJ45 Integrated Connector

10/100 Base-TX, 1X4, Through Hole, LEDs, Tap-Down

MODEL NUMBER

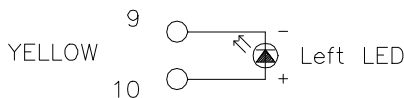
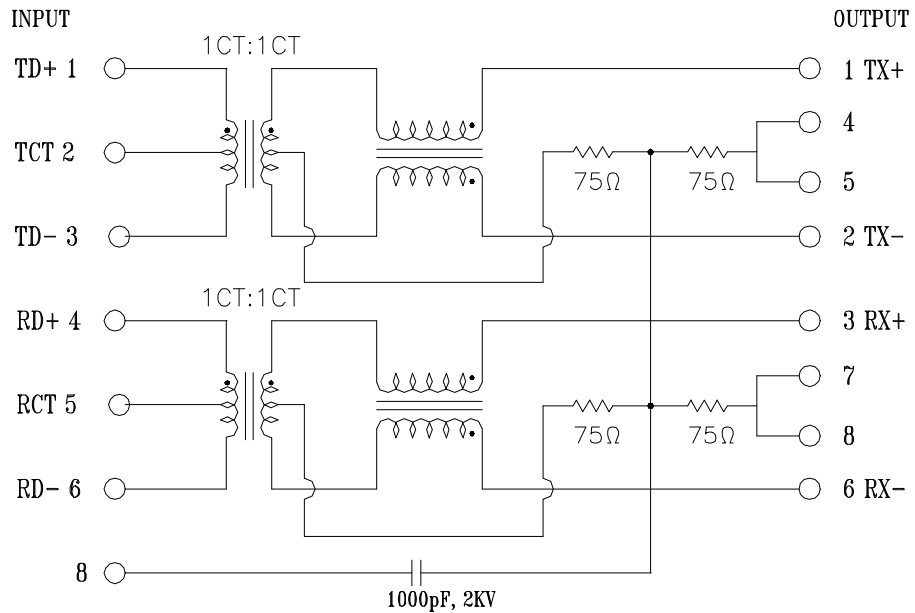
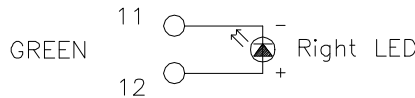
TIC-L050-14

- Meets IEEE 802.3 and ANSI X3.263
- Operating temperature: 0°C to +70°C
- Storage Temperature: -40°C to +75°C



Package Information			
Weight		Quantity	
weight/pcs (g)	weight/carton (kg)	quantity/tray (pcs)	quantity/carton (pcs)
23.4	4.0	25	100

Electrical Specification @ 25°C								
Insertion Loss (dB Max)	Return Loss (dB Min)			CMRR (dB Min)	Crosstalk (dB Min)	OCL (μH Min)	Hipot (Vrms)	Impedance (Ω)
1-100 MHz	1-30 MHz	60 MHz	80 MHz	1-100 MHz	1-100 MHz	8mA Dc Bias	1 minute	
-1	-18	-16	-12	-30	-35	350	1500	100



PREPARED BY:

D. Rund

ENGINEER:

L. Le

QUALITY CONTROL:

D. Kelley

APPROVED:

J. Coleman

DWG CONTROL NO.
P-A1-13064
ACAD\TTC\A1130641.DWG

REV
PRE

RJ45
INTEGRATED CONNECTOR

TAMURA CORPORATION OF AMERICA
43352 BUSINESS PARK DRIVE, TEMECULA, CA. 92590-6624
(909) 699-1270 FAX 9096769482

TIC-L050-14

MODEL SPECIFICATION

DIM: mm(in) SCL: NONE SH: 1 OF 3

PROPRIETARY NOTICE: THIS DRAWING PRINT OR DOCUMENT AND SUBJECT MATTER DISCLOSED HEREIN ARE PROPRIETARY ITEMS TO WHICH TAMURA RETAINS THE EXCLUSIVE RIGHT OF DISSEMINATION, REPRODUCTION, MANUFACTURE AND SALE. THIS DRAWING, PRINT OR DOCUMENT IS SUBMITTED IN CONFIDENCE FOR CONSIDERATION BY THE RECIPIENT ALONE UNLESS PERMISSION FOR FURTHER DISCLOSURE IS EXPRESSLY GRANTED IN WRITING.

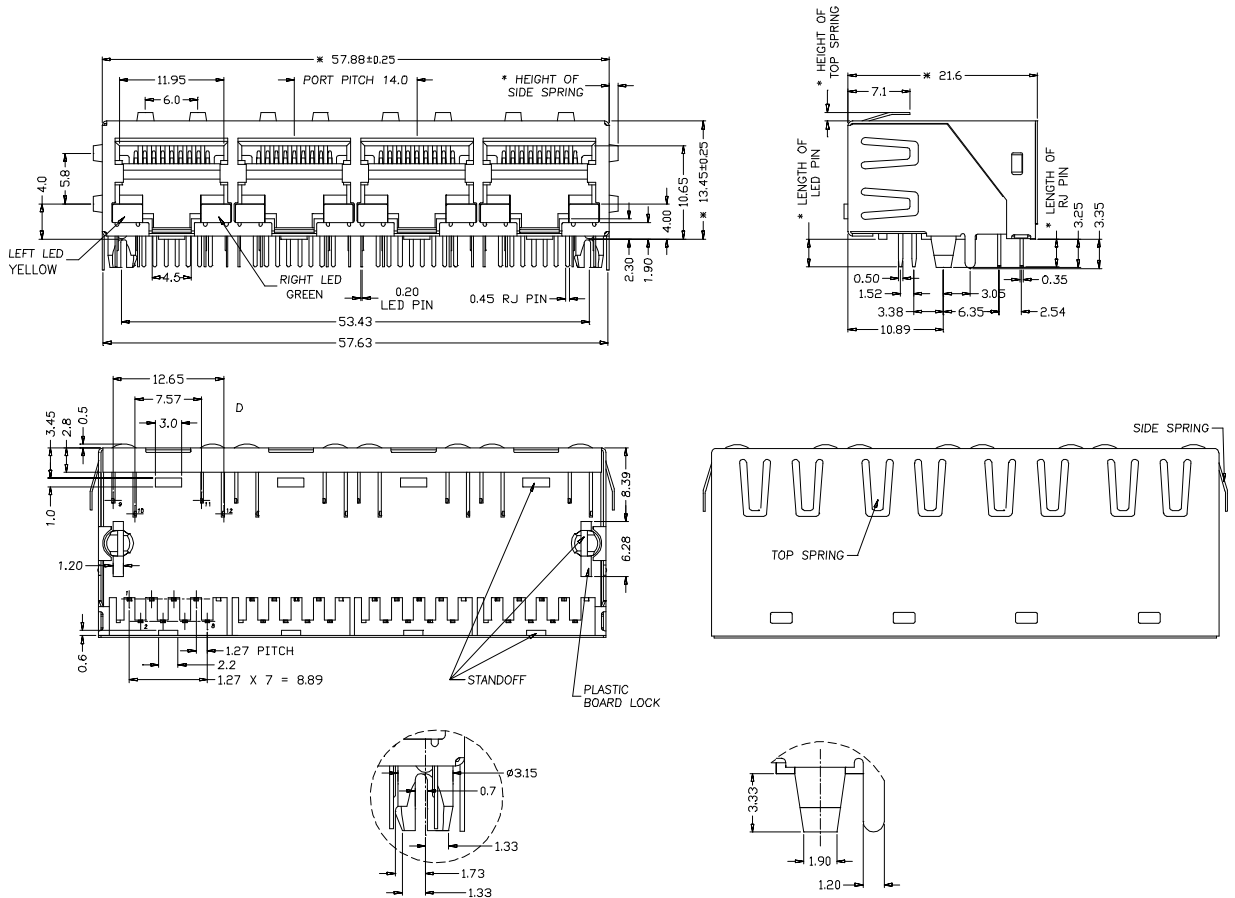


RJ45 Integrated Connector

10/100 Base-TX, 1 X 4, Through Hole, LEDs, Tap-Down

Mechanical Material Specification

Contact									Plastic Part	Shell		
Contact Finish												
RJ Contact			LED and Joint Contacts									
Contact Material	Contact Area	Solder Tail	Under-plating	LED Contact Material	Joint Contact Material	Contact Area	Solder Tail Area	Under-plating	Housing and Insert	Trans-parent	Front	Back
Phosphor Bronze	Gold	Tin/Lead (9:1)	Nickel	Phosphor Bronze	Brass	Brass	Tin/Lead (9:1)	Nickel	Thermal-plastic PA6T	Thermal-plastic PC	Stainless SUS304 -1/2H	Stainless SUS304 -1/2H
0.30mm thick	30μ" MIN	100μ" MIN	50μ" MIN	0.30mm thick	0.30mm thick	100μ" MIN	100μ" MIN	50μ" MIN	Black UL94V-0	Transparent UL94V-0	0.20mm thick	0.20mm thick



PREPARED BY:

D. Rund

NOTE: Dimension tolerances are ±0.05mm unless otherwise specified.

ENGINEER:

L. Le

DWG CONTROL NO. P-A1-13064
ACAD\TTC\A1130642.DWG

REV PRE

RJ45
INTEGRATED CONNECTOR

QUALITY CONTROL:

D. Kelley

CONTENTS OF THIS DRAWING ARE SUBJECT TO CHANGE WITHOUT PRIOR NOTICE

TAMURA CORPORATION OF AMERICA
43352 BUSINESS PARK DRIVE, TEMECULA, CA. 92590-6624
(909) 699-1270 FAX 9096769482

TIC-L050-14

MODEL SPECIFICATION

DIM: MM[IN] SCL: NONE SH: 2 OF 3

APPROVED:

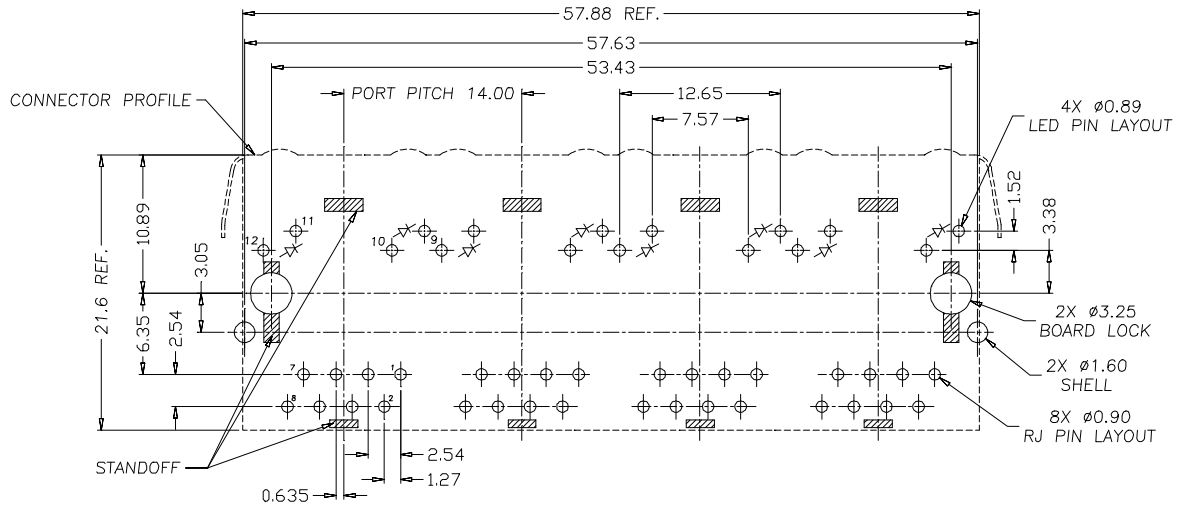
J. Coleman

PROPRIETARY NOTICE: THIS DRAWING PRINT OR DOCUMENT AND SUBJECT MATTER DISCLOSED HEREIN ARE PROPRIETARY ITEMS TO WHICH TAMURA RETAINS THE EXCLUSIVE RIGHT OF DISSEMINATION, REPRODUCTION, MANUFACTURE AND SALE. THIS DRAWING, PRINT OR DOCUMENT IS SUBMITTED IN CONFIDENCE FOR CONSIDERATION BY THE RECIPIENT ALONE UNLESS PERMISSION FOR FURTHER DISCLOSURE IS EXPRESSLY GRANTED IN WRITING.



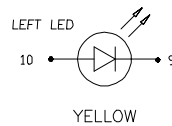
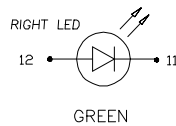
RJ45 Integrated Connector

10/100 Base-TX, 1 X 4, Through Hole, LEDs, Tap-Down



RECOMMENDED PCB LAYOUT
COMPONENT SIDE

ALL DIMENSION TOLERANCE ARE ±0.05mm UNLESS OTHERWISE SPECIFIED



PREPARED BY:

D. Rund

ENGINEER:

L. Le

QUALITY CONTROL:

D. Kelley

APPROVED:

J. Coleman

DWG CONTROL NO.
P-A1-13064
ACAD\TTC\A1130643.DWG

REV
PRE

RJ45
INTEGRATED CONNECTOR

TAMURA CORPORATION OF AMERICA
43352 BUSINESS PARK DRIVE, TEMECULA, CA. 92590-6624
(909) 699-1270 FAX 9096769482

TIC-L050-14

MODEL SPECIFICATION

DIM: MM[IN] | SCL: NONE | SH: 3 OF 3

PROPRIETARY NOTICE: THIS DRAWING PRINT OR DOCUMENT AND SUBJECT MATTER DISCLOSED HEREIN ARE PROPRIETARY ITEMS TO WHICH TAMURA RETAINS THE EXCLUSIVE RIGHT OF DISSEMINATION, REPRODUCTION, MANUFACTURE AND SALE. THIS DRAWING, PRINT OR DOCUMENT IS SUBMITTED IN CONFIDENCE FOR CONSIDERATION BY THE RECIPIENT ALONE UNLESS PERMISSION FOR FURTHER DISCLOSURE IS EXPRESSLY GRANTED IN WRITING.